



The PS 1 EX extension module doubles the performance of the PS 1 system in the 80 Hz to 300 Hz range (6 dB more sound pressure level). This provides noticeably more punch and dynamics for larger events and open airs. The two 12-inch drivers can be driven via the same amplifier channel as the low-mid path of the PS 1; all that is needed is a customised preset that takes the additional sensitivity into account.

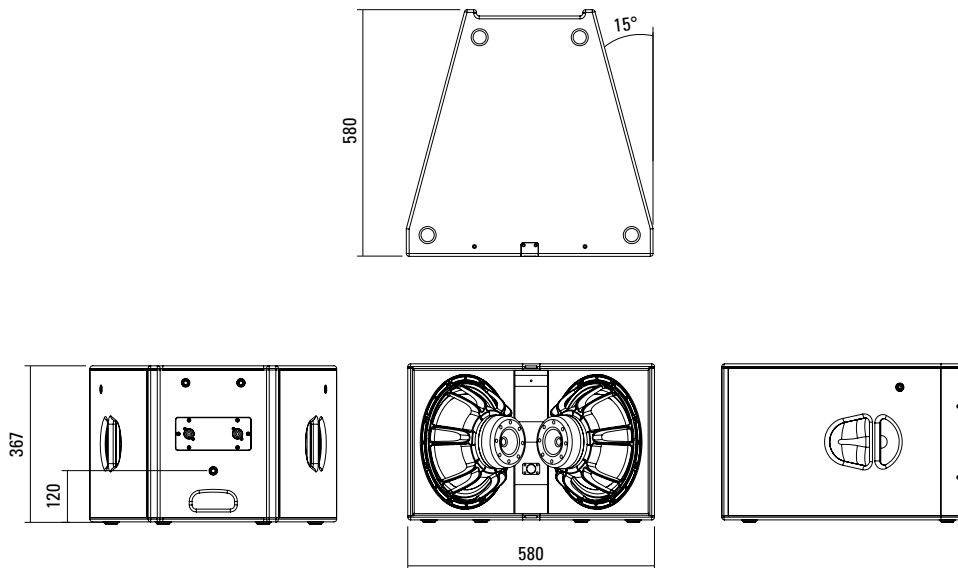
PRODUCT SPECIFICATIONS

Speaker Components	2 x 12"
Description	Low Mid Extension for PS 1
Power AES / Peak	1500 W / 4500 W
Impedance nominal	4 Ω
SPL 1 W / Peak @ 1 m	101 dB / 138 dB
Usable Range	75 Hz - 500 Hz (-6 dB)
Tuning Frequency Excursion minimum	80 Hz
X - Overpoint acoustical	300 Hz
Connectors	2 x Speakon NL4 in/out Coding: 1 +/- loop thru, 2 +/- LF
Handles	2 x
Rigging / Fittings	5 x M10
Weight	25 kg
Size height x width x depth	36,8 x 58,0 x 58,0 cm
Order No.	00782



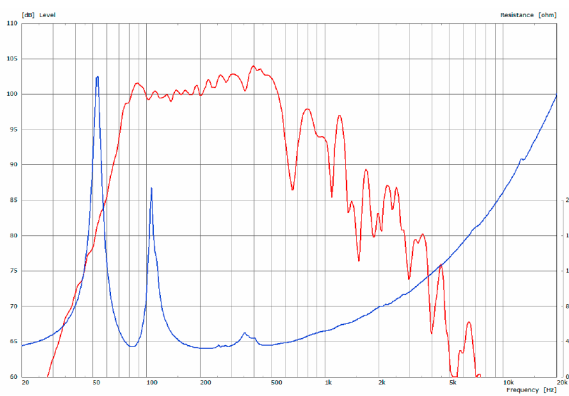
The PS 1 EX is attached under the PS 1 using the separately available connection kit. It can then be flown together with the PS 1 or used stacked on the stacking board.

DIMENSIONS



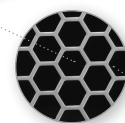
MEASUREMENTS

PS 1 EX - Sensitivity @ 1 W + Impedance



PS 1 EX - Base Model

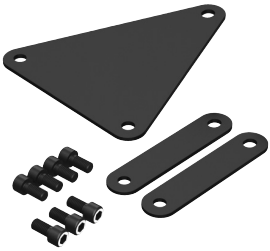
- Cabinet finish in black Polyurea coating
 - Horn Flare finish in matt RAL 7004 signal grey
 - With wide-meshed hexagonal perforated grille, brushed stainless steel finish
- > Optional:
- Powder coating in RAL color of choice



Wide-meshed
hexagonal grille

ACCESSORIES PS 1 EX

Connection Kit



PS 1 -> PS 1 EX,
(3 x parts: 2 x Front Link,
1 x Rear Link Plate, 7 x M1)

Order No. **08159/PS1EX**

Stacking Board



fits: PS Sub,
incl. accessories (1 x handle screw
M10 x 20)

Order No. **01395**

Handle Screw



adjustable,
M10 x 20

Order No. **08375/20**



Stacking Board